



INDO GERMAN TOOL ROOM, AHMEDABAD

(A Govt. of India Society under the Ministry of MSME)
An ISO 9001 : 2015 Tool Room & Training Centre



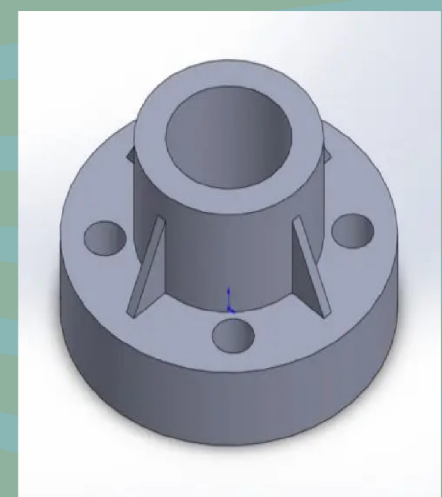
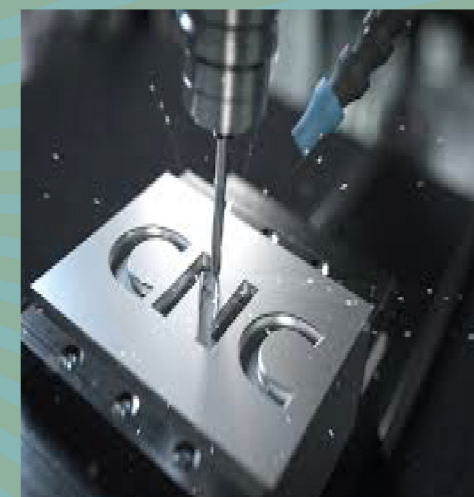
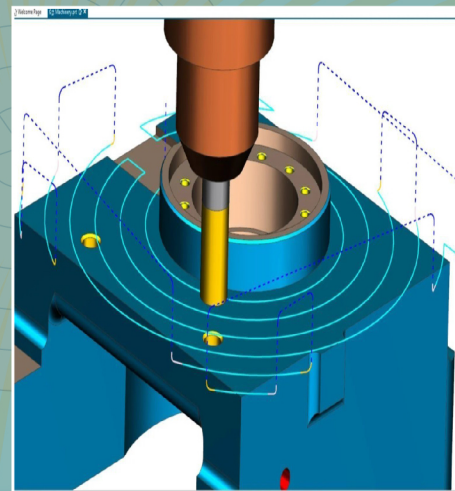
JUNIOR DESIGNER CAD/CAM

Course Contents:

- AUTOCAD
- SOLIDWORKS
- CATIA
- NX CAD/CAM
- ANSYS
- CNC TURNING PROGRAMMING & MACHINING
- CNC MILLING PROGRAMMING & MACHINING
- EMPLOYABILITY SKILLS
- PROJECT WORK/OJT

Duration: 04 Months
Mode of Training: Offline

Starting From :
25th MAY 2026



Qualification: Diploma / Degree (Mechanical / Production / Automobile Engineering or Equivalent)

Hostel & Mess: Facilities Available on Chargeable Basis

No Tuition Fees for **SC/ST** Candidates) For Others **CONTACT US**



**SCAN
HERE
TO
APPLY**

“Job Opportunity Provided After Successful Completion of the Training.”

 info@igtrahd.com

 www.igtrahd.com

 9099041986, 9099040868

 Plot No. 5003, Phase-4, Mehmedabad Road, Vatva GIDC, Ahmedabad-382445